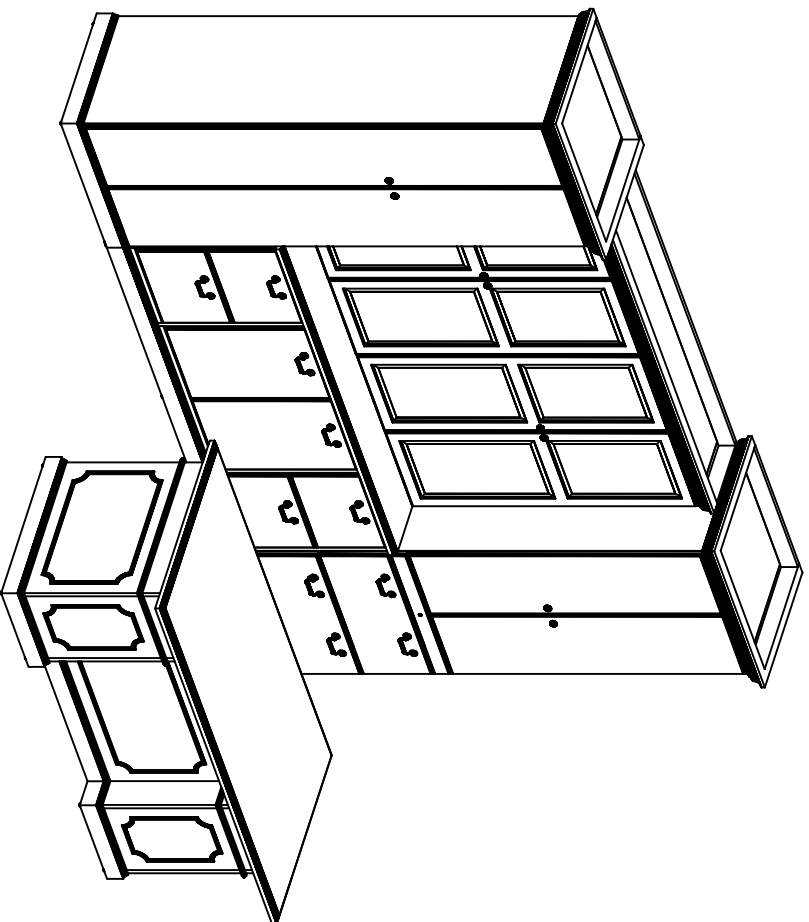


SCALE: 1/4"=1'-0"



SCALE: NTS

**DARRAN**

DARRAN Furniture  
 P.O. Box 7614  
 High Point, NC 27264  
 Phone 336.861.2400  
 Fax 336.861.6485  
 1.800.334.7891  
 www.darran.com

This is a preliminary drawing subject to approval by manufacturing. Actual product may vary from drawing shown. DARRAN reserves the right to alter specifications and/or materials. It will be the responsibility of Dealer/Designer to: Do Field Measurements, Confirm All Product Will Fit Office Space. Also, To Confirm Product Quoted is Correct As To Configurations, Sizes, Design Etc.

Approval Signature: \_\_\_\_\_

Quote #: \_\_\_\_\_  
 Date: 1/10/2022  
 Revision #: \_\_\_\_\_  
 Revision date: \_\_\_\_\_  
 Product: JAMESTOWN  
 Scale: AS SHOWN  
 Drawn By: \_\_\_\_\_