

# DARRAN<sup>®</sup>

Effective April 1st, 2024

there will be a 4% increase on all collections with the following exceptions:

- No increase on collections launched in 2023:  
Dove, Susu, Nika, Nomi, Bizz, Buzz, Envi, Honey Flex, and Quinn
- 3% increase will be applied to: Spire, Rift, Prado, Richmond Park, and Jamestown.
- 10% increase will be applied to: Lisso and Roki.

Orders placed prior to April 1st with 2022 pricing must ship prior to August 1, 2024. We are here to help with any questions you may have regarding this adjustment.

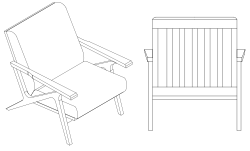
Please contact our customer service team for any assistance you may require. Thank you for your business and support. We look forward to working with you to provide the high-quality products and the excellent customer service you expect from DARRAN.



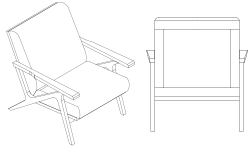
## Gin Lounge Price List

Effective November 1, 2022

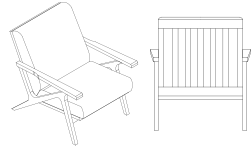
Date	Page	Modification	Description
11.11.22		Price Increase	9% price increase applied to all items excluding options
01.20.23		Removed finishes: WAC, PO02, TBCO, WIC, WEW, WHC, WOC, WNO, WNW, PO01, TOBW, PO07, TSMV, TSTV, PO08, PO09	
02.08.23		Removed 9% increase on all items	
06.09.23		Added Gin Teak outdoor chais	
06.20.23		Added WCA, WWW, WLO finish	



Page 3  
Gin Lounge  
Vertical Slat Back



Page 4  
Gin Lounge  
Framed Back-No Slats



Page 5  
Gin Outdoor Lounge  
Teak w/ Vertical Slat Back

Statement of Line  
Specifications .....1  
Finishes .....2  
Vertical Slat Back.....3  
Framed Back No Slats.....4

# DARRAN®

Finishes are on available on ash.

WLO Lofty Ash  
WGW Gunstock Walnut  
WMO Mocha Oak  
WSO Salted Oak  
WBW Henna Walnut  
WSW Smokey Walnut  
WWW Weathered Walnut  
TBSW Brown Sugar  
SNA Narvik Ash  
WCA Natural Ash  
PO03 Mushroom

Send 3x3 or larger finish chip for color match.  
Custom finish upcharge is 3% or \$250 Net (whichever is greater).

## Gin Lounge Finishes



## Finish

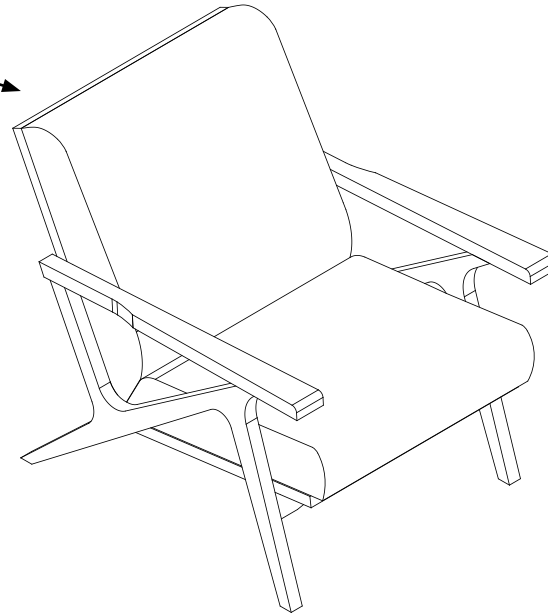
Welltech Finish delivers a superior furniture coating with exceptional performance that can withstand stringent cleaning agents and possesses unparalleled durability, allowing DARRAN to provide lasting, sustainable products to our customers.

# DARRAN®

Width = 29-1/2"  
Depth = 35"  
Height = 32"  
Seat Width = 22"  
Seat Depth = 21"  
Seat Height = 17-1/2"  
Arm Height = 24"  
Cartoned Weight = 55 lbs.

Frame constructed of CNC cut engineered hardwood to maximize the strength, precise measurements and overall longevity.

Designed with clean lines, sweeping back and top stitch throughout.



Solid wood arms slope forward for maximum comfort.

Variety of textiles and back options offer customers flexibility in design and consistency within each office setting.

## Joints

All hardwood frame joints are securely fastened with mortise and tenon joinery and double doweled construction to ensure long-term use.

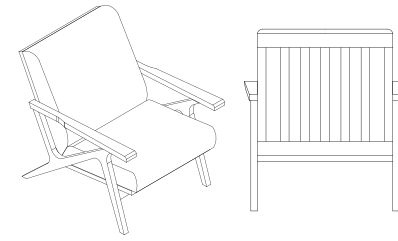
## Seat suspension

Seat suspension is constructed of 3/4" thick top quality Birch plywood that is machined to form an open perimeter and webbed to provide maximum support for the cushioning. Seat and back foam are made of high resiliency foam with proper density providing long lasting comfort.

# Gin

Gin Lounge  
Vertical Slat Back

[Click here to view statement of line](#)



## 1 Model GIN3032UVS08

w" x d" x h"  
29.5 x 35 x 32  
Arm Height 24  
Seat Height 17.5

COM	COL	1	2	3	4	5	6	7	8	9	10	11/L1	12	13/L2
2104	2159	2214	2269	2324	2379	2434	2489	2544	2599	2654	2709	2764	2819	2929

Upholstery Requirements  
Fabric yds: 3yds Leather Sq. Ft.: 60sq ft  
Carton Weight: 60

## Product Features

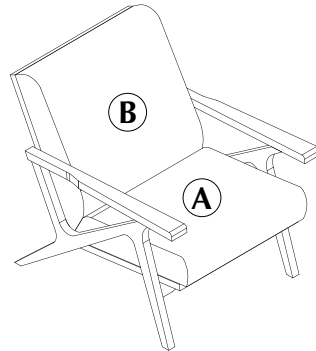
- Frame is constructed of solid ash hardwood using a mortise and tenon joinery.
- Seats and backs are webbed to enhance comfort.
- The seat and back has 4" thick 2.0 density foam used for the ultimate comfort, durability and longevity of the seating performance.

## 2 Select Finish

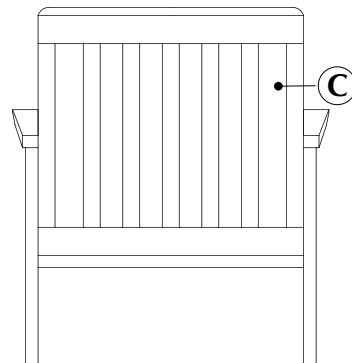
[Click to view finishes](#)

- All Finishes on Ash
- WLO Lofty Oak
- WMO Mocha Oak
- WSO Salted Oak
- WGW Gunstock Walnut
- WBW Henna Walnut
- WSW Smokey Walnut
- WWW Weathered Walnut
- TBSW Brown Sugar
- PO03 Mushroom
- SNA Narvik Ash
- WCA Neutral Ash

## 3 Combination Fabrics



- A Seat 1 yd, 20 sq ft
- B Inside Back 1 yd, 20 sq ft
- C Outside Back 1 yd, 20 sq ft



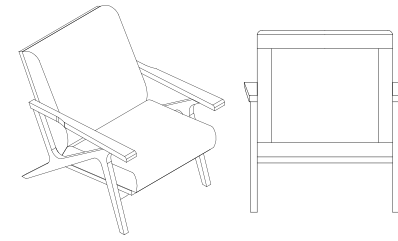
(Back View)



# Gin

Gin Lounge  
Framed Back-No Slats

[Click here to view statement of line](#)



## 1 Model GIN3032UWL06

w" x d" x h"  
29.5 x 35 x 32  
Arm Height 24  
Seat Height 17.5

COM	COL	1	2	3	4	5	6	7	8	9	10	11/L1	12	13/L2
2013	2068	2123	2178	2233	2288	2343	2398	2453	2508	2563	2618	2673	2728	2838

Upholstery Requirements  
Fabric yds: 3yds Leather Sq. Ft.: 60sq ft  
Carton Weight: 55

## Product Features

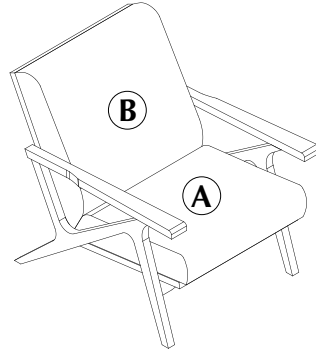
- Frame is constructed of solid ash hardwood using a mortise and tenon joinery.
- Seats and backs are webbed to enhance comfort.
- The seat and back has 4" thick 2.0 density foam used for the ultimate comfort, durability and longevity of the seating performance.

## 2 Select Finish

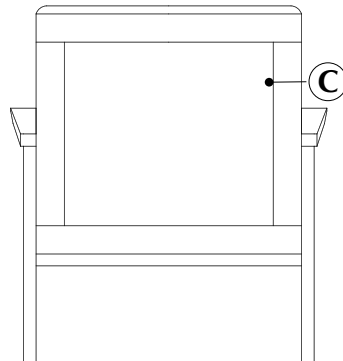
[Click to view finishes](#)

- All Finishes on Ash
- WLO Lofty Oak
- WMO Mocha Oak
- WSO Salted Oak
- WGW Gunstock Walnut
- WBW Henna Walnut
- WSW Smokey Walnut
- WWW Weathered Walnut
- TBSW Brown Sugar
- PO03 Mushroom
- SNA Narvik Ash
- WCA Neutral Ash

## 3 Combination Fabrics



- A Seat 1 yd, 20 sq ft
- B Inside Back 1 yd, 20 sq ft
- C Outside Back 1 yd, 20 sq ft

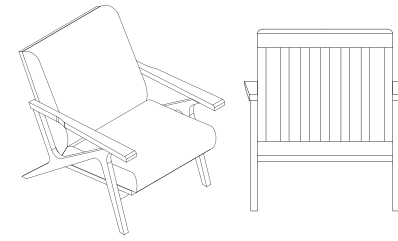


(Back View)

# Gin

Gin Outdoor Lounge  
Teak w/ Vertical Slat Back

[Click here to view statement of line](#)



## 1 Model GIN3032UVS18

w" x d" x h"  
29.5 x 35 x 32  
Arm Height 24  
Seat Height 17.5

COM	COL	1	2	3	4	5	6	7	8	9	10	11/L1	12	13/L2
2797	2852	2907	2962	3017	3072	3127	3182	3237	3292	3347	3402	3457	3512	3622

Upholstery Requirements  
Fabric yds: 3yds Leather Sq. Ft.: 60sq ft  
Carton Weight: 60

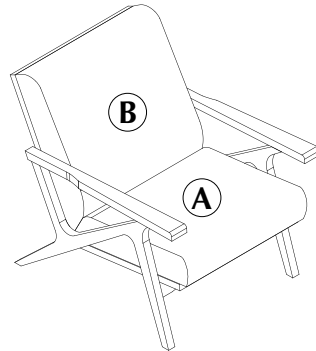
## Product Features

- Frame is constructed of solid teak using a mortise and tenon joinery.
- Seat is webbed with outdoor webbing.
- The seat and back has 5" thick 2.0 density foam that are loose cushions encased in waterproof material

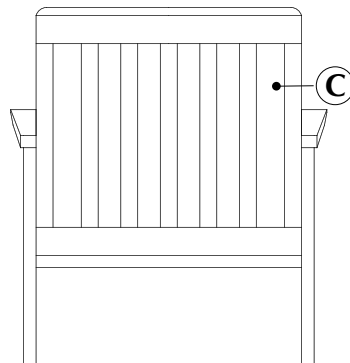
## 2 Finish N/A

[Click to view finishes](#)

## 3 Combination Fabrics



A Seat 1 yd, 20 sq ft  
B Inside Back 1 yd, 20 sq ft  
C Outside Back 1 yd, 20 sq ft



(Back View)