

DARRAN®



## Plus Price List

June 2024

Giancarlo Stefani Design Studio

## Statement of Line

Plus Table Finish options.....	1
Plus Table Laminate and Fenix Colors.....	2
Specifications.....	3
Plus Occasional Tables.....	4-6

date            page #            description

Statement of Line



Page 4  
Soft Square Coffee Table  
Occasional



Page 5  
Soft Rectangle Coffee Table  
Occasional



Page 6  
Soft Rectangle End Table  
Occasional

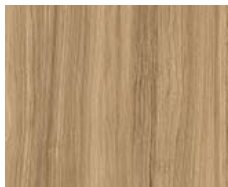
veneER FINISHES



WAF Narvik Ash



WLF Lofty Oak



WFF Fawn Cypress



WNF Natural Oak



WEF Neo Walnut



WMF Mocha Oak



WEC Ebony Cherry



GWG Gunstock Walnut



WSW Smokey Walnut



WBW Henna Walnut



WWW Weathered Walnut

HIGH PRESSURE LAMINATES



GNA Narvik Ash



LW02 Fawn Cypress



LW01 Neo Walnut



GEC Ebony



GWL Designer White

POWDERCOATS



MFMB Matte Black  
(Standard)



MFW White  
(Premium)



MFGW Gray White  
(Premium)



MFSB Satin Bronze  
(Premium)

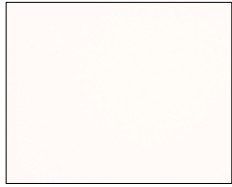


MFGB Grey Beige  
(Premium)

FENIX LAMINATES



LFBK Bianco Kos



LFBM Bianco Male



LFB A Beige Arizona



LFB L Beige Luxor



LFG E Gringo Efesto



LFVC Verde Comodoro



LFCW Castoro Ottawa



LFG L Gringo Londra



LFCO Cacao Orinoco



LFRJ Roos Jaipur



LFG B Gringo Bromo



LFB F Blue Fes



LFNI Nero Ingo

The benefits of FENIX® surface material:

- Soft to the touch
- Extremely matte
- Resists fingerprints
- Highly resistant to scratches, abrasion, acid-based solvents and household cleaners

PAINT COLORS



Pure White PM21



Boucle White PM13



Skyline Steel PSS



Warm Gray PM14



Evergreen Fog PEF



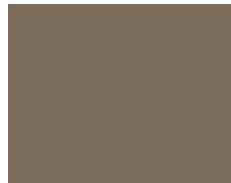
Artifact Gray PM12



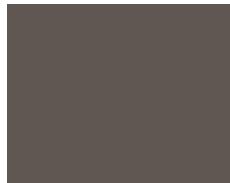
Golden Sand PM17



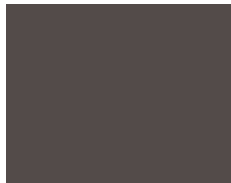
Flagstone PM11



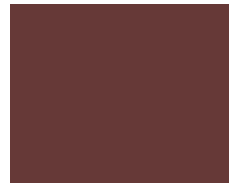
Golden Umber PM15



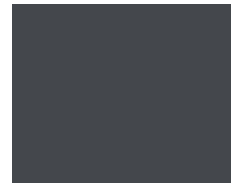
London Gray PM16



Nutmeg PM18



Redwood PM19



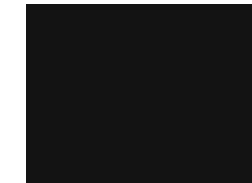
Cyberspace PCS



Cloudburst PM22



Maritime PM23



Moonless Night PM20

SO, WHAT IS FENIX® SURFACE MATERIAL?

FENIX® materials are made of paper (over 60%) and thermosetting resins (30 - 40%). The FENIX® products are created by a pressing process in which heat and pressure are applied simultaneously in order to obtain a homogeneous non-porous product. First introduced in 2013, FENIX® was developed after years of research and development by an international team of scientists and engineers. Thanks to proprietary technology, FENIX® is able to achieve its incredible surface properties by undergoing a series of processes, including a multilayer coating and use of next-gen acrylic resins, which are then hardened and fixed through an Electron Beam Curing process.



Tops available in veneer, high pressure laminate or fenix soft touch laminate color with an infinity edge to give a soft and slim appearance.

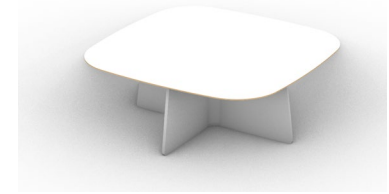
Bases available in any contrasting or coordinating finish or paint

Table bases are constructed of precision molded bent plywood base with oak veneer faces

Subtle metal bracket enables color accent

Plus

Soft Square Coffee Table  
Occasional Table



1 Select Model

w" x d" x h"

36 x 36 x 14

Weight

	Veneer Top	Fenix Laminate Top	High Pressure Laminate Top
	DBO3636PL369W 1897	DBO3636PL369F 2112	DBO3636PL369G 1897
2 Top Color	Click to view finishes	Click to view Fenix	Click to view HPL
3 Base Finish	Click to view finishes		

Product Features

- Laminate and Veneer tops - 1-1/8" thick with Infinity Edge
- Fenix Laminate Tops available
- Precision molded bent plywood base with oak veneer faces
- Legs available in any contrasting or coordinating finish or paint

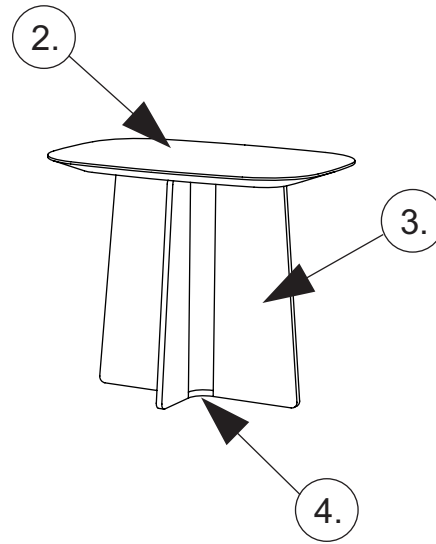
Premium Finish Option

- Premium Powdercoat Options - \$95 per base
- Specify MFW White, MFGW Gray White, MFSB Satin Bronze, MFGB Grey Beige

4 Bracket Color

MFMB Matte Black Powdercoat Standard

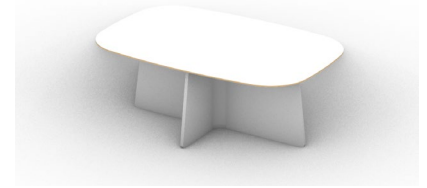
Click to view premium colors (upcharge applies)





Plus

Soft Rectangle Coffee Table  
Occasional Table



1 Select Model

w" x d" x h"

36 x 24 x 14

Weight

	Veneer Top	Fenix Laminate Top	High Pressure Laminate Top
	DBO3624PL369W 1575	DBO3624PL369F 1790	DBO3624PL369G 1575
2 Top Color	Click to view finishes	Click to view Fenix	Click to view HPL
3 Base Finish	Click to view finishes		

Product Features

- Laminate and Veneer tops - 1-1/8" thick with Infinity Edge
- Fenix Laminate Tops available
- Precision molded bent plywood base with oak veneer faces
- Legs available in any contrasting or coordinating finish or paint

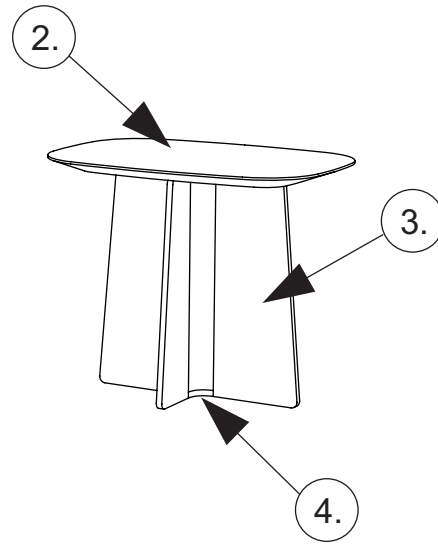
Premium Finish Option

- Premium Powdercoat Options - \$95 per base
- Specify MFW White, MFGW Gray White, MFSB Satin Bronze, MFGB Grey Beige

4 Bracket Color

MFMB Matte Black Powdercoat Standard

Click to view premium colors (upcharge applies)



Plus

Soft Rectangle End Table  
Occasional Table



1 Select Model

w" x d" x h"

24 x 16 x 20

Weight

	Veneer Top	Fenix Laminate Top	High Pressure Laminate Top
	DBO2416PL369W 1335	DBO2416PL369F 1550	DBO2416PL369G 1335
2 Top Color	Click to view finishes	Click to view Fenix	Click to view HPL
3 Base Finish	Click to view finishes		

Product Features

- Laminate and Veneer tops - 1-1/8" thick with Infinity Edge
- Fenix Laminate Tops available
- Precision molded bent plywood base with oak veneer faces
- Legs available in any contrasting or coordinating finish or paint

Premium Finish Option

- Premium Powdercoat Options - \$95 per base
- Specify MFW White, MFGW Gray White, MFSB Satin Bronze, MFGB Grey Beige

4 Bracket Color

MFMB Matte Black Powdercoat Standard

Click to view premium colors (upcharge applies)

