



Six-t Conference Price List

Effective June 2024

Designed By DARRAN Studio

date page # description

Specification Details
Finishes.....6
Standard Laminates.....7
Fenix Laminates.....8
Fenix Compact Laminates.....8
Metal Finishes7
Conference Tables (Coming to NeoCon 2024)9

Statement of Line



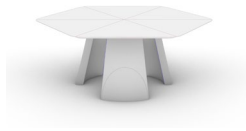
Page 8
60" Hexagon Conference Table
Veneer/Laminate Top
w/ Upholstered Bases



Page 9
60" Hexagon Conference Table
Fenix/Laminate Top
w/ Upholstered Bases



Page 10
72" Hexagon Conference Table
Veneer/Laminate Top
w/ Upholstered Bases



Page 11
72" Hexagon Conference Table
Fenix/Laminate Top
w/ Upholstered Bases



Page 12
84" Hexagon Conference Table
Veneer/Laminate Top
w/ Upholstered Bases



Page 13
84" Hexagon Conference Table
Fenix/Laminate Top
w/ Upholstered Bases



Page 14
96" Hexagon Conference Table
Veneer/Laminate Top
w/ Upholstered Bases



Page 15
96" Hexagon Conference Table
Fenix/Laminate Top
w/ Upholstered Bases

Bracketry is designed to be visible and available in 3 standard powdercoat colors.

CNC machined plywood constructed bases are upholstered and feature a cavity for power. 1 base per table features a zipper outer cavity of upholstery for wire management.

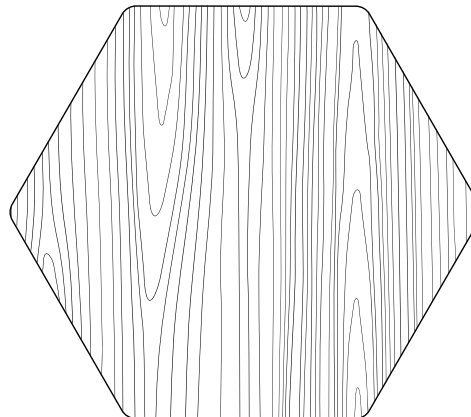


Veneer, Laminate and Fenix Laminate tops are 1-1/8" with an Infinity Edge. Edge is stained to match top surface.

Bases include curved scuff pad offering decorative accent and for cleanability. Pricing includes Momentum standard Silica patterns.

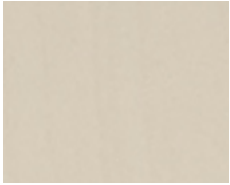
TOP VENEER OPTIONS

LINEAR



*Standard veneer available in flat cut oak. Premium veneer available in flat cut walnut

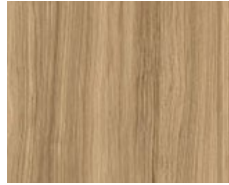
WOOD FINISHES



WAM Alabaster Maple



WLF Lofty Oak



WFF Fawn Cypress



WNF Natural Oak



WWW Weathered Walnut



WEF Neo Walnut



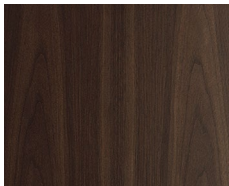
TSTV Studio Teak



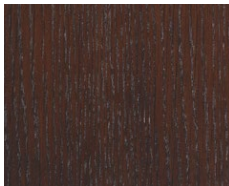
WGW Gunstock Walnut



TSLV Skyline Walnut



WSW Smokey Walnut



WMO/WMF Mocha Oak

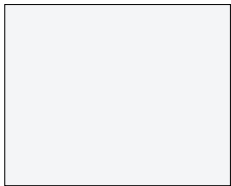


WBW Henna Walnut



WEC Ebony Cherry

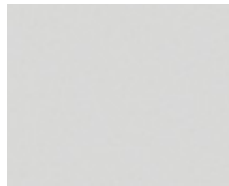
STANDARD LAMINATES



GWL Designer White



LW04 Phantom Pearl



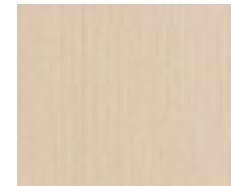
LF03 Folkstone



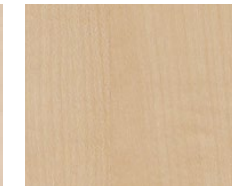
GAM Alabaster Maple



GNA Narvik Ash



LW05 Phantom Ecrú



GCM Clear Maple



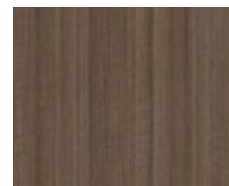
LW02 Fawn Cypress



LW01 Neo Walnut



LW06 Phantom Cocoa



GSTV Studio Teak



GEC Ebony

FENIX®



LFBK Bianco Kos Compact



LFBM Bianco Male



LFBA Beige Arizona



LFBL Beige Luxor



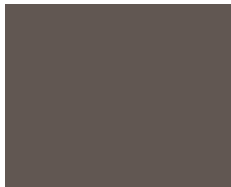
LFGE Gringo Efeso



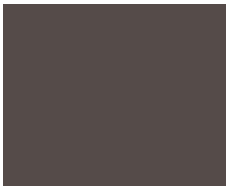
LFCW Castoro Ottawa



LFVC Verde Comodoro



LFGL Gringo Londra



LFCO Cacao Orinoco



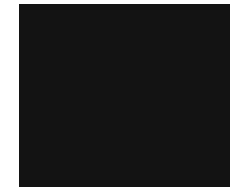
LFRJ Roosoo Jaipur



LFGB Gringo Bromo



LFBF Blue Fes

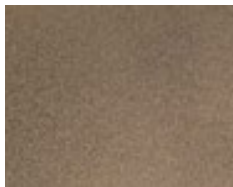


LFNI Nero Ingo

METAL FINISHES



MFMB Matte Black
(Standard)



MFSB Satin Bronze
(Optional)



MFW White
(Optional)

Six-t

60" Hexagon Conference Table
 Veneer/Laminate Top w/ Upholstered Bases

[Click here to view statement of line](#)



1 Model SIX6060HE121

w" x d" x h"
60 x 60 x 29

COM	COL	1	2	3	4	5	6	7	8	9	10	11/L1	12	13/L2
5023	5087	5151	5215	5279	5343	5407	5471	5535	5599	5663	5727	5791	5855	5983

Upholstery Requirements
 Fabric yds: 3.5 Leather Sq. Ft.: 63
 Carton Weight: 250

Product Features

- Unique hexagonal shape with infinity edge
- Bases are CNC machined plywood frame construction
- Upholstered bases
- 1 base includes zipper for wire/power access
- Bases include curved scuff pad offering decorative accent and for cleanability

Notes

- All veneer finishes are 5% matte sheen
- Pricing includes Momentum standard Silica patterns. Must select
- Metal Brackets for base are standard in MFMB Matte Black Powdercoat.
- See Power Price List for power options

Options

Premium Metal Finishes

- MFW White Powdercoat or MFSB Satin Bronze - \$150 per table

2 Select Top Finish

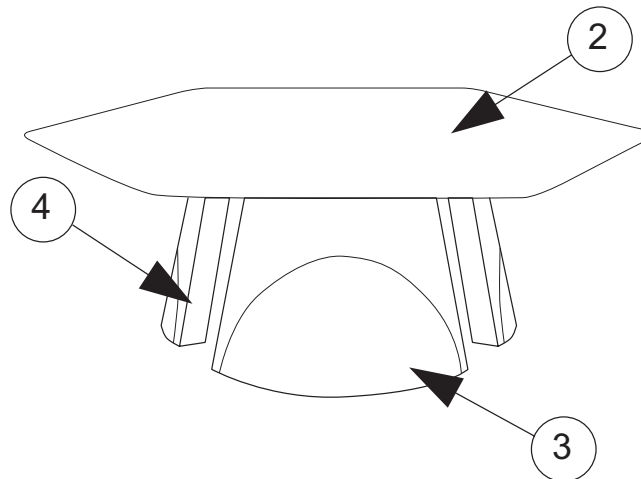
[Click to view finishes](#)

3 Material Selections

- 2-Top
- 3-Scuff Color
- 4-Base

3 Select Scuff Fabric

4 Select Base Fabric



Six-t

60" Hexagon Conference Table
 Fenix Laminate Top w/ Upholstered Bases

[Click here to view statement of line](#)



1 Model SIX6060HE121F

w" x d" x h"
 60 x 60 x 29

COM	COL	1	2	3	4	5	6	7	8	9	10	11/L1	12	13/L2
6003	6067	6131	6195	6259	6323	6387	6451	6515	6579	6643	6707	6771	6835	6963

Upholstery Requirements
 Fabric yds: 3.5 Leather Sq. Ft.: 63
 Carton Weight: 250

Product Features

- Unique hexagonal shape with infinity edge
- Bases are CNC machined plywood frame construction
- Upholstered bases
- 1 base includes zipper for wire/power access
- Bases include curved scuff pad offering decorative accent and for cleanability

Notes

- Fenix soft touch laminate
- Pricing includes Momentum standard Silica patterns. Must select
- Metal Brackets for base are standard in MFMB Matte Black Powdercoat.
- See Power Price List for power options

Options

Premium Metal Finishes

- MFW White Powdercoat or MFSB Satin Bronze - \$150 per table

2 Select Top Finish

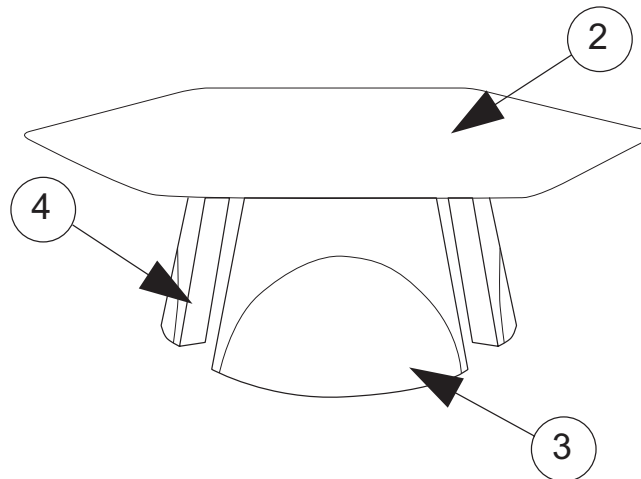
[Click to view finishes](#)

3 Material Selections

- 2-Top
- 3-Scuff Color
- 4-Base

3 Select Scuff Fabric

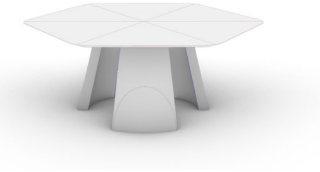
4 Select Base Fabric



Six-t

72" Hexagon Conference Table
 Veneer/Laminate Top w/ Upholstered Bases

[Click here to view statement of line](#)



1 Model SIX7272HE121

w" x d" x h"
72 x 72 x 29

COM	COL	1	2	3	4	5	6	7	8	9	10	11/L1	12	13/L2
7223	7287	7351	7415	7479	7543	7607	7671	7735	7799	7863	7927	7991	8055	8183

Upholstery Requirements
 Fabric yds: 3.5 Leather Sq. Ft.: 63
 Carton Weight: 280

Product Features

- Unique hexagonal shape with infinity edge
- Bases are CNC machined plywood frame construction
- Upholstered bases
- 1 base includes zipper for wire/power access
- Bases include curved scuff pad offering decorative accent and for cleanability

Notes

- All veneer finishes are 5% matte sheen
- Pricing includes Momentum standard Silica patterns. Must select
- Metal Brackets for base are standard in MFMB Matte Black Powdercoat.
- See Power Price List for power options

Options

Premium Metal Finishes

- MFW White Powdercoat or MFSB Satin Bronze - \$150 per table

2 Select Top Finish

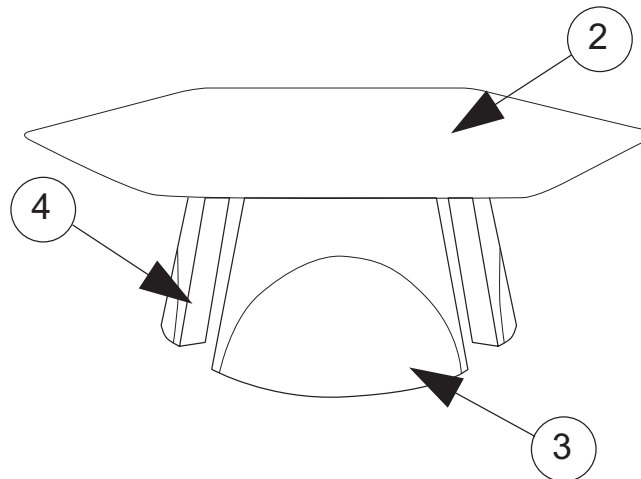
[Click to view finishes](#)

3 Material Selections

- 2-Top
- 3-Scuff Color
- 4-Base

3 Select Scuff Fabric

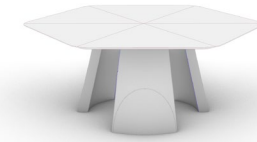
4 Select Base Fabric



Six-t

72" Hexagon Conference Table
Fenix Laminate Top w/ Upholstered Bases

[Click here to view statement of line](#)



1 Model SIX7272HE121F

w" x d" x h"
72 x 72 x 29

COM	COL	1	2	3	4	5	6	7	8	9	10	11/L1	12	13/L2
8473	8537	8601	8665	8729	8793	8857	8921	8985	9049	9113	9177	9241	9305	9433

Upholstery Requirements
Fabric yds: 3.5 Leather Sq. Ft.: 63
Carton Weight: 280

Product Features

- Unique hexagonal shape with infinity edge
- Bases are CNC machined plywood frame construction
- Upholstered bases
- 1 base includes zipper for wire/power access
- Bases include curved scuff pad offering decorative accent and for cleanability

Notes

- Fenix soft touch laminate
- Pricing includes Momentum standard Silca patterns. Must select
- Metal Brackets for base are standard in MFMB Matte Black Powdercoat.
- See Power Price List for power options

Options

Premium Metal Finishes

- MFW White Powdercoat or MFSB Satin Bronze - \$150 per table

2 Select Top Finish

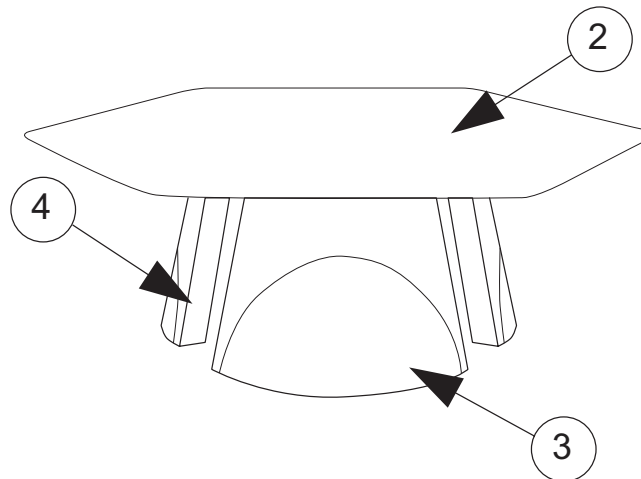
[Click to view finishes](#)

3 Material Selections

- 2-Top
- 3-Scuff Color
- 4-Base

3 Select Scuff Fabric

4 Select Base Fabric



Six-t

84" Hexagon Conference Table
 Veneer/Laminate Top w/ Upholstered Bases

[Click here to view statement of line](#)



1 Model SIX8484HE121

w" x d" x h"
84 x 84 x 29

COM	COL	1	2	3	4	5	6	7	8	9	10	11/L1	12	13/L2
7725	7794	7863	7932	8001	8070	8139	8208	8277	8346	8415	8484	8553	8622	8760

Upholstery Requirements
 Fabric yds: 3.75 Leather Sq. Ft.: 67.5
 Carton Weight: 330

Product Features

- Unique hexagonal shape with infinity edge
- Bases are CNC machined plywood frame construction
- Upholstered bases
- 1 base includes zipper for wire/power access
- Bases include curved scuff pad offering decorative accent and for cleanability

Notes

- All veneer finishes are 5% matte sheen
- Pricing includes Momentum standard Silica patterns. Must select
- Metal Brackets for base are standard in MFMB Matte Black Powdercoat.
- See Power Price List for power options

Options

Premium Metal Finishes

- MFW White Powdercoat or MFSB Satin Bronze - \$150 per table

2 Select Top Finish

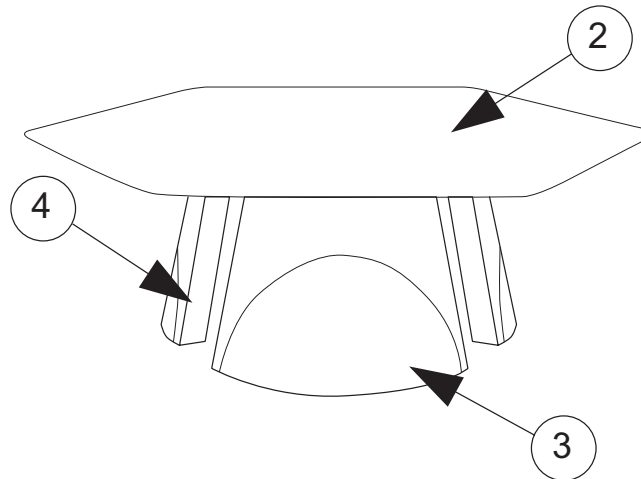
[Click to view finishes](#)

3 Material Selections

- 2-Top
- 3-Scuff Color
- 4-Base

3 Select Scuff Fabric

4 Select Base Fabric



Six-t

84" Hexagon Conference Table
Fenix Laminate Top w/ Upholstered Bases

[Click here to view statement of line](#)



1 Model SIX8484HE121F

w" x d" x h"
84 x 84 x 29

COM	COL	1	2	3	4	5	6	7	8	9	10	11/L1	12	13/L2
9595	9664	9733	9802	9871	9940	10009	10078	10147	10216	10285	10354	10423	10492	10630

Upholstery Requirements
Fabric yds: 3.75 Leather Sq. Ft.: 67.5
Carton Weight: 330

Product Features

- Unique hexagonal shape with infinity edge
- Bases are CNC machined plywood frame construction
- Upholstered bases
- 1 base includes zipper for wire/power access
- Bases include curved scuff pad offering decorative accent and for cleanability

Notes

- Fenix soft touch laminate
- Pricing includes Momentum standard Silica patterns. Must select
- Metal Brackets for base are standard in MFMB Matte Black Powdercoat.
- See Power Price List for power options

Options

Premium Metal Finishes

- MFW White Powdercoat or MFSB Satin Bronze - \$150 per table

2 Select Top Finish

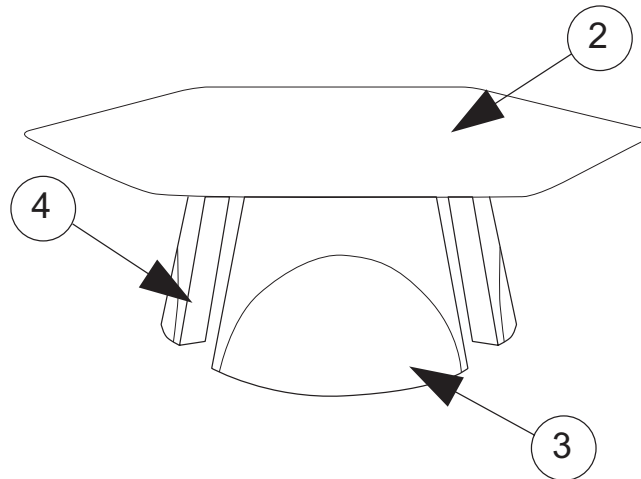
[Click to view finishes](#)

3 Material Selections

- 2-Top
- 3-Scuff Color
- 4-Base

3 Select Scuff Fabric

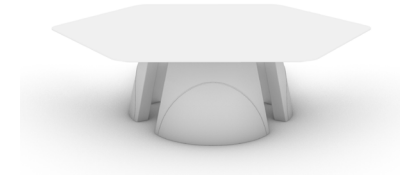
4 Select Base Fabric



Six-t

96" Hexagon Conference Table
 Veneer/Laminate Top w/ Upholstered Bases

[Click here to view statement of line](#)



1 Model SIX9696HE121

w" x d" x h"
 96 x 96 x 29

COM	COL	1	2	3	4	5	6	7	8	9	10	11/L1	12	13/L2
8300	8369	8438	8507	8576	8645	8714	8783	8852	8921	8990	9059	9128	9197	9335

Upholstery Requirements
 Fabric yds: 3.75 Leather Sq. Ft.: 67.5
 Carton Weight: 360

Product Features

- Unique hexagonal shape with infinity edge
- Bases are CNC machined plywood frame construction
- Upholstered bases
- 1 base includes zipper for wire/power access
- Bases include curved scuff pad offering decorative accent and for cleanability

2 Select Top Finish

[Click to view finishes](#)

3 Material Selections

- 2-Top
- 3-Scuff Color
- 4-Base

Notes

- All veneer finishes are 5% matte sheen
- Pricing includes Momentum standard Silica patterns. Must select
- Metal Brackets for base are standard in MFMB Matte Black Powdercoat.
- See Power Price List for power options

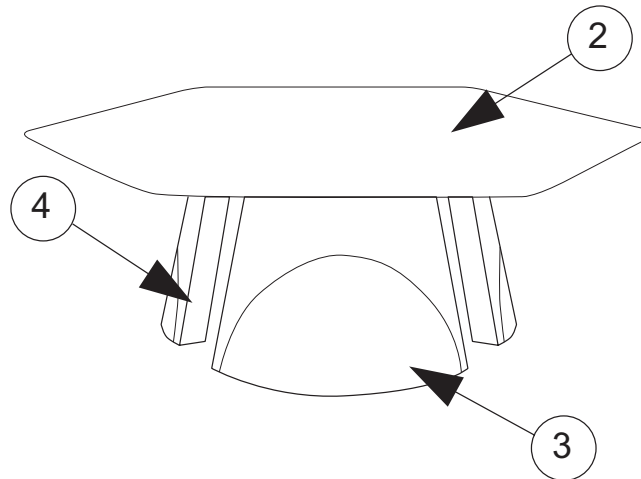
Options

Premium Metal Finishes

- MFW White Powdercoat or MFSB Satin Bronze - \$150 per table

3 Select Scuff Fabric

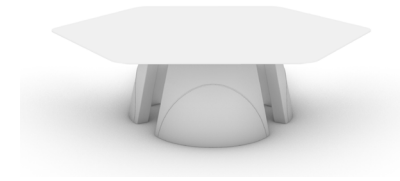
4 Select Base Fabric



Six-t

96" Hexagon Conference Table
Fenix Laminate Top w/ Upholstered Bases

[Click here to view statement of line](#)



1 Model SIX9696HE121F

w" x d" x h"
96 x 96 x 29

COM	COL	1	2	3	4	5	6	7	8	9	10	11/L1	12	13/L2
10265	10334	10403	10472	10541	10610	10679	10748	10817	10886	10955	11024	11093	11162	11300

Upholstery Requirements
Fabric yds: 3.75 Leather Sq. Ft.: 67.5
Carton Weight: 360

Product Features

- Unique hexagonal shape with infinity edge
- Bases are CNC machined plywood frame construction
- Upholstered bases
- 1 base includes zipper for wire/power access
- Bases include curved scuff pad offering decorative accent and for cleanability

Notes

- Fenix soft touch laminate
- Pricing includes Momentum standard Silica patterns. Must select
- Metal Brackets for base are standard in MFMB Matte Black Powdercoat.
- See Power Price List for power options

Options

Premium Metal Finishes

- MFW White Powdercoat or MFSB Satin Bronze - \$150 per table

2 Select Top Finish

[Click to view finishes](#)

3 Material Selections

- 2-Top
- 3-Scuff Color
- 4-Base

3 Select Scuff Fabric

4 Select Base Fabric

