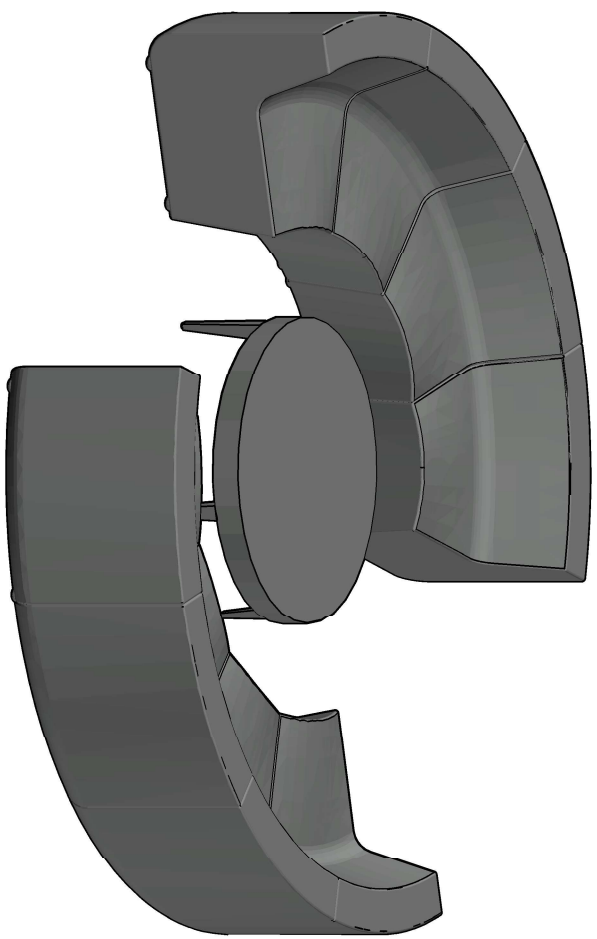


SCALE: 1/4"=1'-0"



SCALE: NTS

This is a preliminary drawing subject to approval by manufacturing. Actual product may vary from drawing shown. DARRAN reserves the right to alter specifications and/or materials. It will be the responsibility of Dealer/Designer to: Do Field Measurements, Confirm All Product Will Fit Office Space. Also, To Confirm Product Quoted is Correct As To Configurations, Sizes, Design Etc.

DARRAN

DARRAN Furniture
 P.O. Box 7614
 High Point, NC 27264
 Phone 336 861 12400
 Fax 336 861 6485
 1,800.334.7891
 www.darran.com

Approval Signature: _____

Quote #: _____
 Date: 11/01/22
 Revision #: _____
 Revision date: _____
 Product: BOTA
 Scale: AS SHOWN
 Drawn By: _____